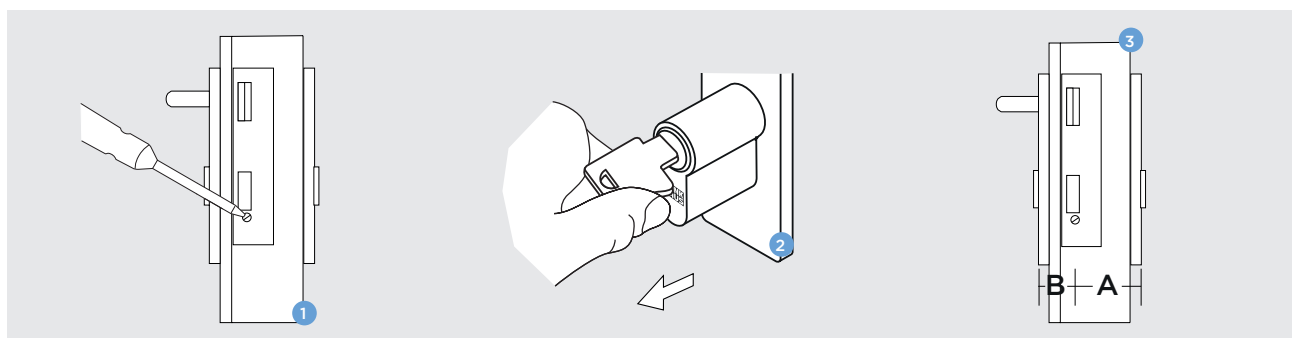


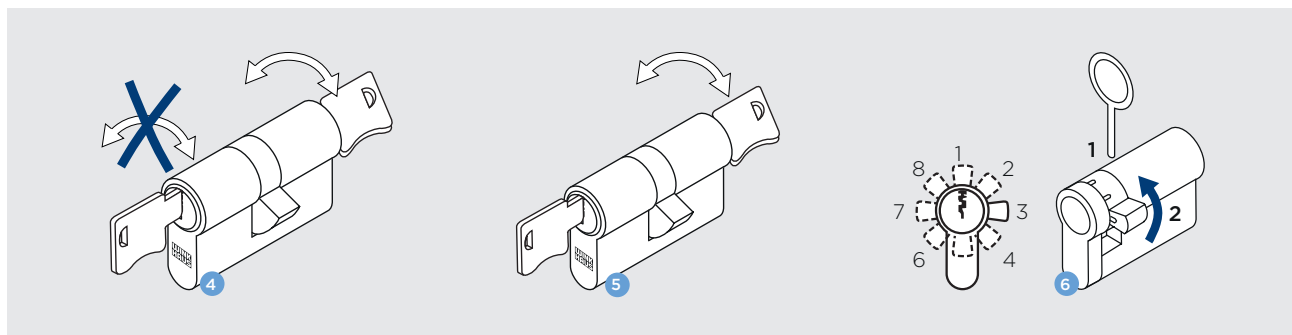
Installation and use instructions for mechanical locking systems

1. Disassembly and ascertainment of cylinder dimensions



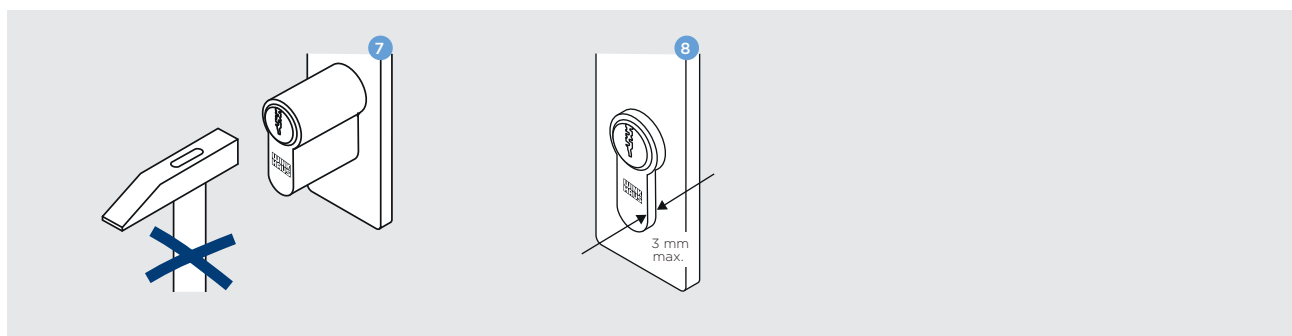
- 1** Removal of the cylinder screw with a screwdriver.
- 2** Pull the old cylinder out of the lock by means of the inserted key.
- 3** Measurement for the locking cylinder is determined from:
 A: Middle of the face plate screw to the front edge of the outside fitting.
 B: Middle of the face plate screw to the front edge of the inside fitting.

2. Type determination and function



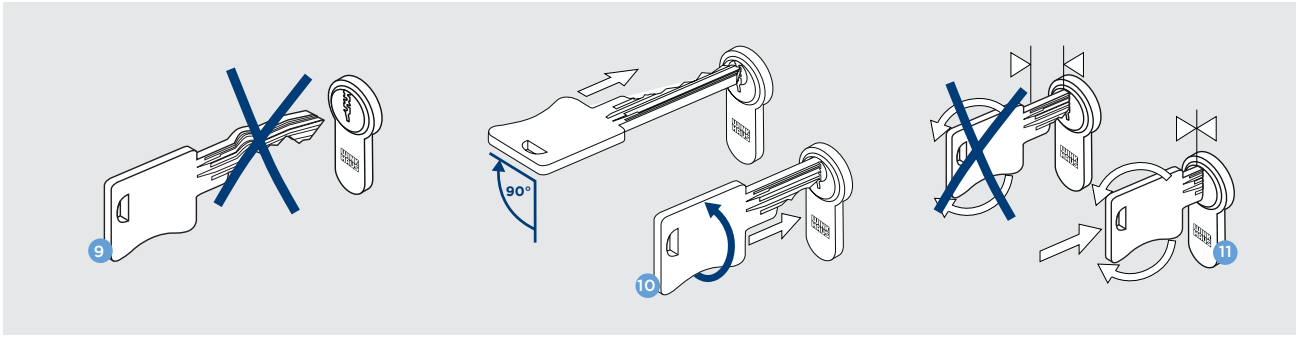
- 4** Standard: lockable from one side only.
- 5** Option: Can also be locked from the other side when a turned key is inserted there.
- 6** Cam can be set to eight positions. Press in the stud with the triggering pin, turn the cam to the required position; the stud will click into place automatically.

3. Installation



- 7** Do not use force when inserting the cylinder.
- 8** Install with max. projection length of 3 mm.

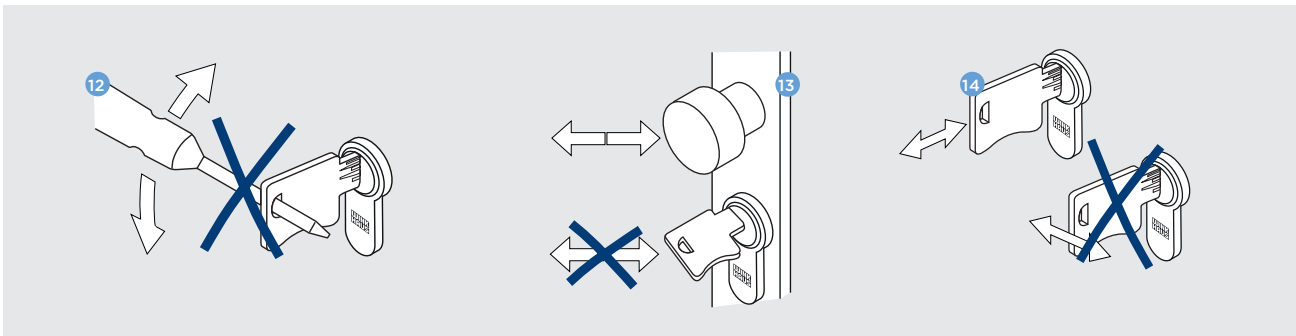
4. Utilization



9 Do not insert damaged or bent keys into the cylinder.

10 Position the key on the insertion aid at a 90° angle (subsidence of the core) and turn to 12 o'clock position.*

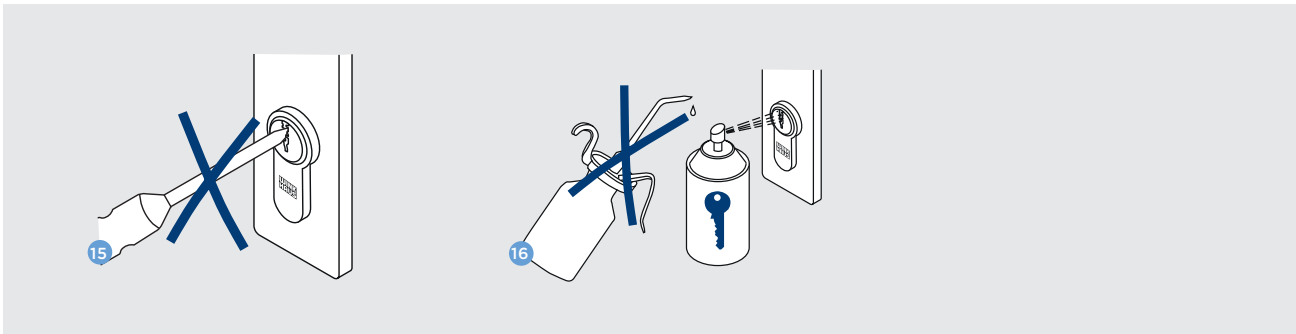
11 For locking, insert the key completely in the cylinder.



12 Do not apply force when turning keys.

13 Do not use the key to lift or shut the door.

14 When removing the key, ensure you keep it straight and do not twist it.



15 Do not insert foreign bodies into the keyway.

16 Lubricate cylinders with special care products 2 times a year; never use oil or graphite.

* Does not apply to reversible key systems.